



By adding **thinpots** to **thintanks**
you can create

TANKS THAT **GROW**

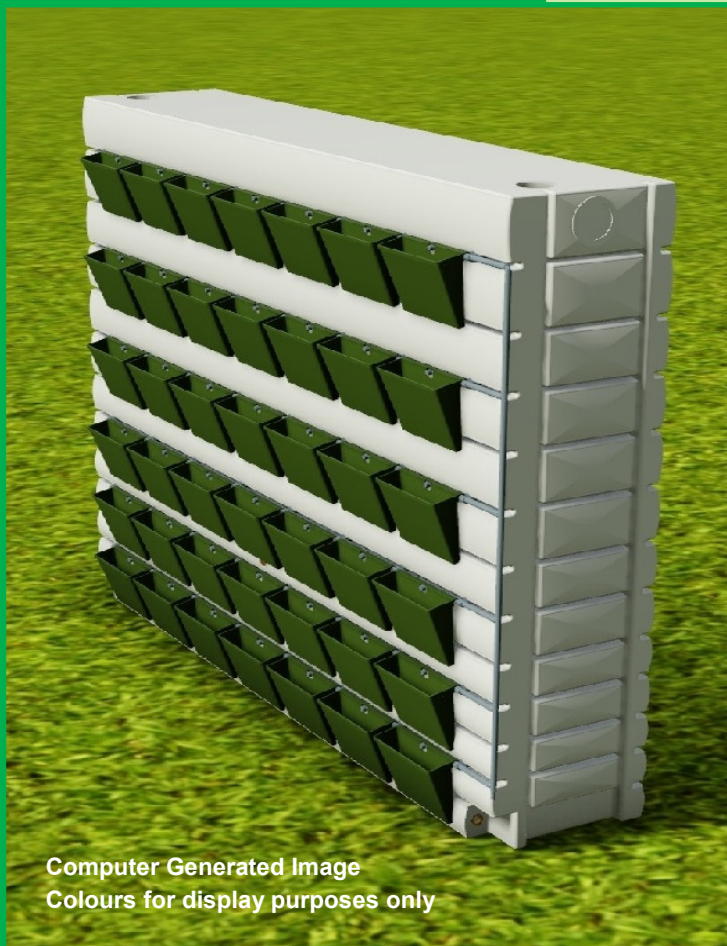
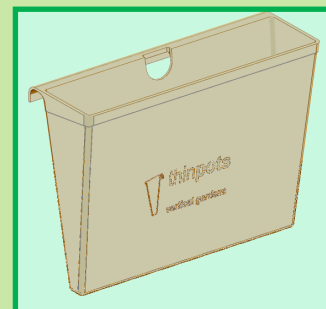
Thinpots are the specifically designed planter pots to compliment the 1000 and 2000 litre Thintanks.



Thinpots are designed to hang on the front of the Thintanks by clipping directly onto the irrigation pipe that is supported by concealed clips inserted into the cross wall connection voids of the Thintanks.



Thinpots have a hole in the back of the pot located centrally at the top to allow for an irrigation dripper to be installed. There is also four 20mm upstands to create a water reservoir in the bottom with two 6.5mm drainage holes.



Computer Generated Image
Colours for display purposes only

Thinpots



MITCHELTON
QLD 4053

P: 0429 930 420

E: sales@thinpots.com.au

W: www.thinpots.com.au

TANKS THAT **GROW**

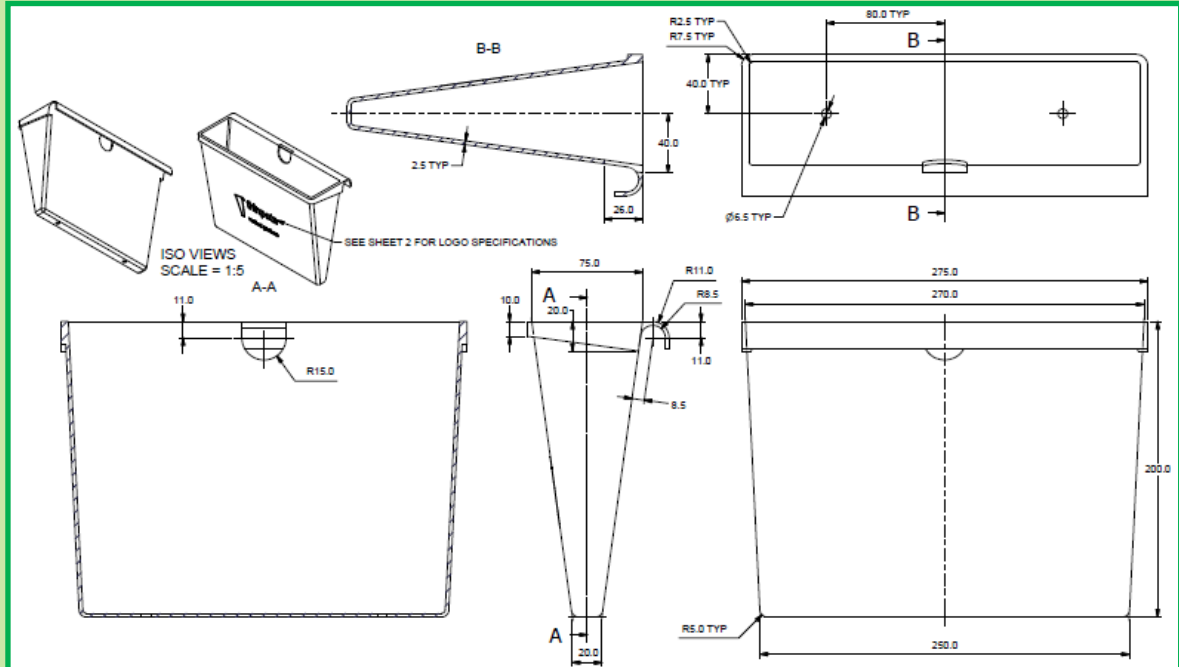


Australian Designed
Australian Made
Australian Owned

sales@thinpots.com.au

www.thinpots.com.au

Pot Dimensions



Pot Colours

Thinpots will initially be manufactured in 3 colours which can be used with any of the 12 colours that the 1000 and 2000 litre Thintanks are available in.



Merino

Slate Grey

Monument

For parts, tools and installation instructions check www.thinpots.com.au where you can download the installation guide.