

PRODUCT SPECIFICATION

1000L

Series2

Manufactured: ADL

2024

The Latest Innovation In Rainwater Tank

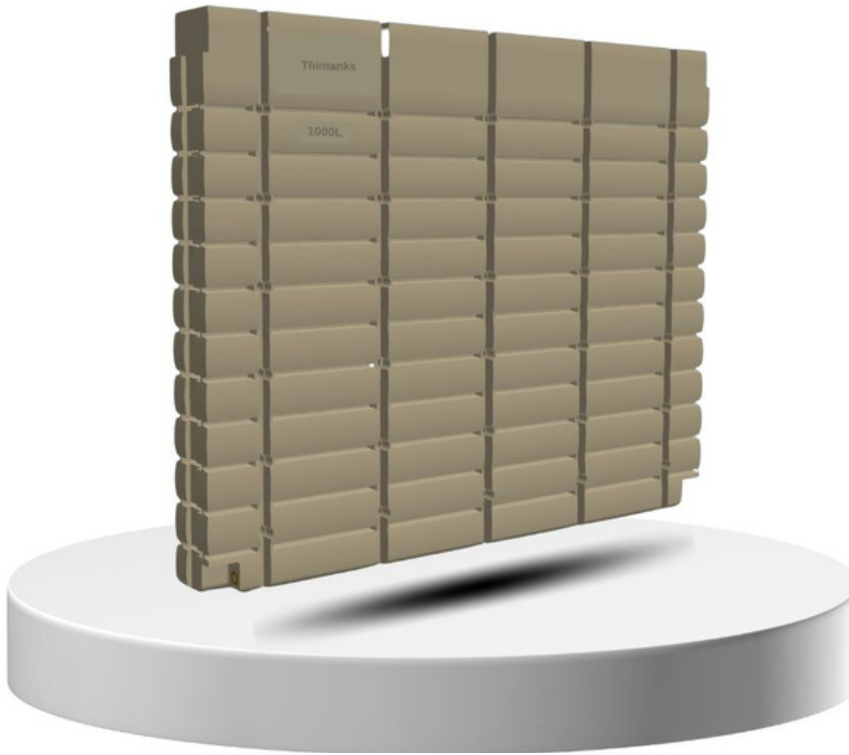
P : + 61 (8) 490 6941

E: info@thintanks.com.au

W: www.thintanks.com.au

1000L Series2

The 1000 Litre Thintank is only 260mm wide! It's the Thinnest Poly Tank on the market and with its fence like appearance it's the perfect tank for those smaller yards where space is limited. They can be fixed to a wall on the side of a dwelling or freestanding with the post rebate and act as a fence!



Length 2400mm

Width 260mm

Height 1970mm

Weight 95kg



Available in 12 colours:



DISCLAIMER

Actual colours may vary. We try extremely hard to ensure our photos are as life-like as possible, but please understand the actual colour may vary slightly from your monitor. We cannot guarantee that the colour you see accurately portrays the true colour of the product.

Thinpots Vertical Garden



Thinpots Series 2:



Connector Hook2

1000L S2 Vertical Garden Set-up

Total no. of Rows	5
Pots per Row	8
Total No. of Pots	40
Total No. of Connectors	25

Fittings (Inclusion)

2 x 200mm Inlet Strainer	
1 x 90mm Overflow fitting	
2 x 25mm Brass Outlet	
1 x 25mm Ball Valve	

Suitable Brackets

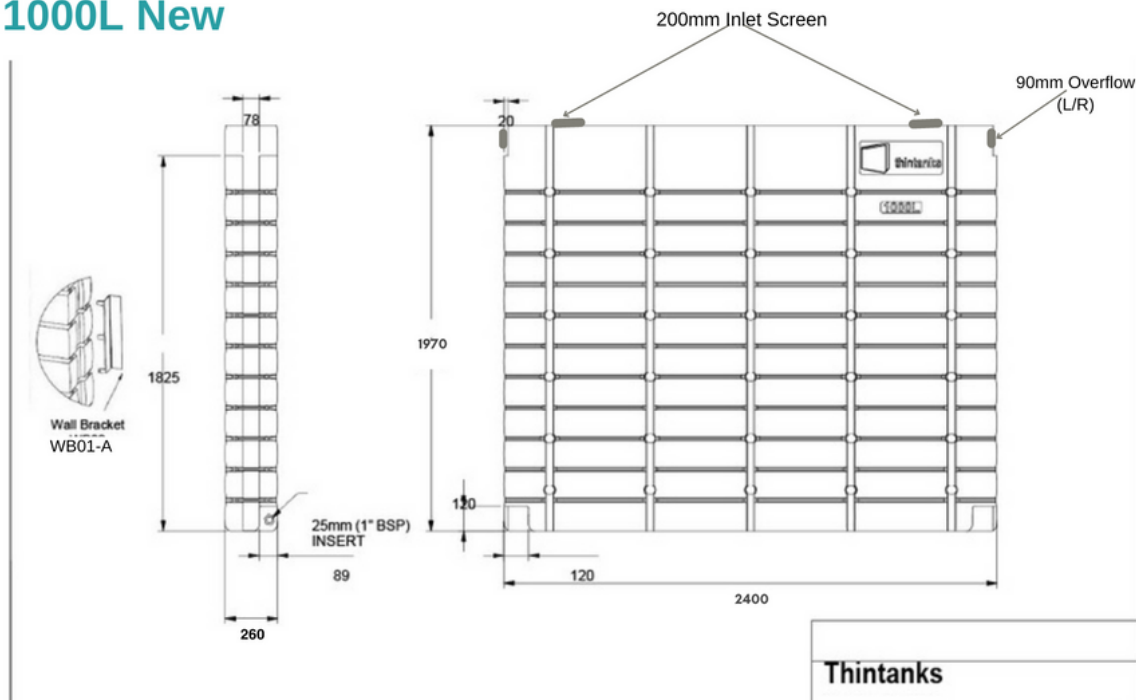
WB01-A - Wall Bracket	
Fence Post (75mm x 50mm x 2400mm)	
*Fence posts and caps can be sourced from nearby hardware stores or steel fabrication companies.	

*Brackets - additional cost apply

1000L Thintank

MODEL/SIZE	TT1000-S2
Capacity	1,000 Litres (220 gallons)
Material	Polyethylene (LDPE)
Material Grade	Food Grade, UV Stabilised
Length	2400mm
Width	260mm
Height	1970mm
Weight	95kg (empty)
Shape	Modular/Slim
No. of Inlets	2 x 200mm (Left & Right)
Fittings inclusion	Ball valve, inlet strainer, overflow flange
No. of plugs	60

1000L New



Product Specifications

Due to the variable shrinkage rate of polyethylene, the product dimensions and capacities listed here are approximate. Naturally occurring pigment variations in raw materials may also cause some variability in colour shades. While we are trying to come as close to the advertised shades as possible, we are unable to guarantee exact tank colour matches. Due to ongoing improvement and innovation, product details, design and specifications are subject to change without notice.

Product Suitability

The product recommendations used in this brochure are intended only as a guide. While we make every effort to accurately represent the suitability of our products for a variety of uses, every situation may be unique and require additional investigation when necessary. Thintanks holds the right to change equipment and product accessories in line with ongoing developments and product supply.



THINTANK INSTALLATION

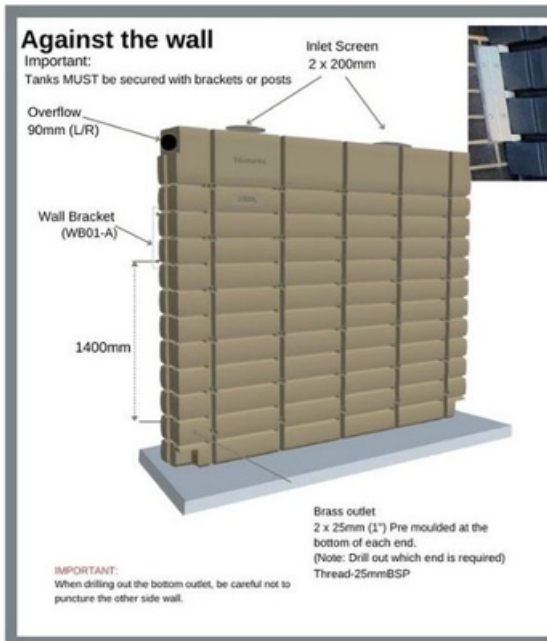
It is important for tanks to be installed on a **SOLID AND COMPLETELY LEVEL SURFACE**. Tanks **MUST** be secured with brackets or posts.

1000 Litre S2 - Against the wall

(2400mm x 260mm x 1970mm)

- On an existing pavement, sloping away from a wall, the surface must be built up to ensure the tank face is vertical and the back of the tank is flush against the wall. See diagram.
- Position the tank on the prepared base and fix to the wall using bracket WB01-A on each end. The wall bracket needs to be fixed to the wall using Dyna Bolts on both ends of the brackets
- Place brackets approximately 1400mm above the base. See diagram.

Important: Tanks **MUST** be secured with brackets or posts



1000 Litre S2- Freestanding

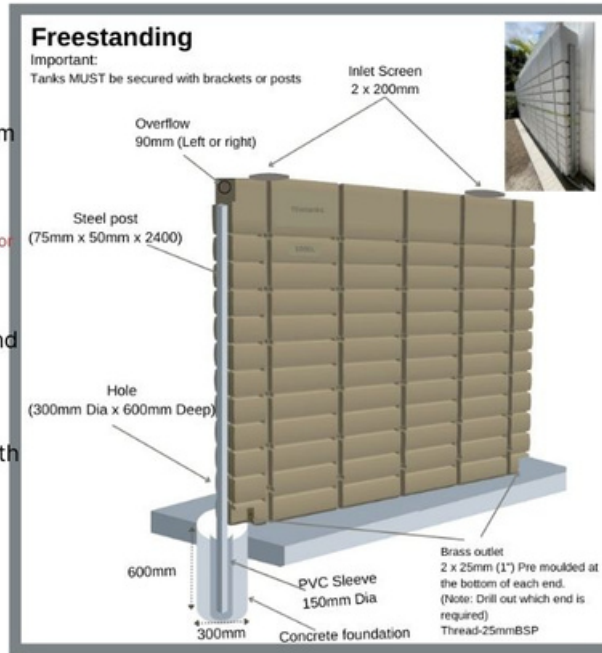
(2400mm x 260mm x 1970mm)

- Mark the position of support poles and excavate holes for 75mm x 50mm x 2400 long posts.
- Holes to be 300mm in diameter and 600mm deep.

Caution: This size may not be large enough in sandy areas. Seek advice from a local fencing contractor or a civil engineer

- Lay concrete slab/pavers between holes.
- Position 150mm PVC sleeves and concrete around outside of sleeves and up to slab/paver.
- After the concrete has been set, slide the tank into position up against the vertical post. When correctly positioned, the tank should sit flush with the post and be held in place by the end recess.
- Install the second post on the opposite side as per step 1
- Concrete around posts to finish off.

Important: Tanks **MUST** be secured with brackets or posts



Multiple Tanks Freestanding

Continue the below steps when installing multiple tanks.



- Attach blue line coupling to each tank. Insert blue line to installed tank and wrench tighten to secure.



- Install final post and concrete in position as per step 1 to finish the installation



- Slide tank into position easing the pipe into the second tank coupling. Once full seated, the tanks will sit almost flush and fitting can be wrench tightened to secure.

IMPORTANT: Thread tape should be used on all couplings and ball valves.

Note: For multiple tanks, inlet and overflow must still be connected to the same tank.

Fittings



- Install the downpipe into the inlet pre-fitted with leaf strainer. Either end can be used.



- Install overflow pipework and plumb away from tank base.

WARRANTY Thin Tanks warrants its tanks by a pro-rata warranty for 10 years from the original date of purchase. This warranty covers the original purchaser only and is not transferable. Thin Tanks will repair or replace, at their discretion the tank affected by a defect caused by the manufacturing process or materials. Fading or colour change, damage caused by accidents or misuse, do-it yourself repairs or incorrect installation, and any subsequent costs (including freight of replacement tank) are not covered by warranty.

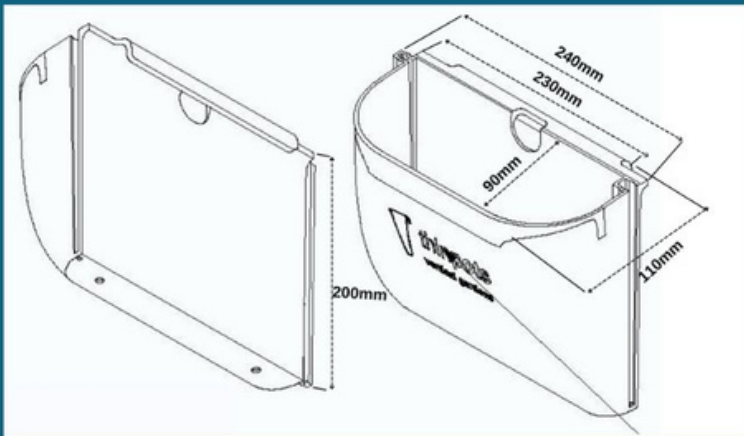
ThinPots are specially designed to hang on the front of your ThinTank to create a unique Vertical Garden System. The ThinPots clip directly onto an irrigation pipe, which gives an option to be watered direct from the tank or just simply hand water; each ThinPot features handy drainage holes. The options are endless when it comes to turning your tank into a garden! The Thinpots New Series fits in all Thintanks NEW SERIES tanks, including our Fat Series. (1000L New, 2000L,3000L,4000L,1333L Fat & 2000L Fat).



Length: 230mm

Height: 200mm

Width: 90mm



MODEL/SIZE	Max. NO. OF ROWS	Max. NO. OF POTS per ROW	TOTAL NO. OF POTS
500L	3	4	12
1333L	5	2	10
1000L-S2	5	8	40
2000L-S2	5	8	40
2000L Fat	5	4	20
3000L-S2	5	10	50
4000L	5	10	50

4 Different Colours to choose from:



DISCLAIMER
Actual colours may vary. We try extremely hard to ensure our photos are as life-like as possible, but please understand the actual colour may vary slightly from your monitor and everyone can see these colours differently. We cannot guarantee that the colour you see accurately portrays the true colour of the product.



THINPOTS INSTALLATION GUIDE

SERIES 2 -NEW DESIGN

This Thinpot Vertical Garden System has been specifically designed to suit the 1333L, 2000L, 2000L Fat, 3000L and the 4000L Thintanks

1. REPLACE THE WALL PLUGS

The Thinpots are hung on the face of the tank by removing the existing wall plugs and inserting the Thinpot adaptor plugs parallel to the horizontal channels in the tank by using a rubber mallet.



2. CLIP THE POLY PIPE

Then clip 13mm black poly pipe onto the adaptor plugs. The poly pipe should be cut off 20mm past the last adapter hook each end.



3. STOP END, BARB ELBOW, BARBE TEE & RATCHET CLAMP

For a single row of pots a stop end should be fitted with a ratchet clamp at both end of the poly pipe.

For multiple rows a barbed elbow or a barbed tee fitting should be fitted into the poly pipe

All connections should be fitted with a ratchet clamp using multi-grip pliers for either self-irrigation system or manual watering.



4. JOINED AND HANG THE THINPOTS

Clip the 2 Thinpots together. The Series 2 Thinpot is designed to be joined in groups of two between the adaptor plugs. There is a male/female on the end of every Thinpot. Simply join the pots by sliding the male channel into the female channel. Once the two pots are joined together, hang on to the poly pipe.



FOR HAND WATERING, GO TO STEP 8

5. PUNCH HOLES

If you are using an irrigation system then now is the time to punch holes in the poly pipe centrally located in the cut out in the rear of the Thinpots.



6. EMITTER

With the holes punched in the poly pipe, hold the pipe firmly in one hand and push the barbed end of the emitter into the hole (often makes a click once inserted)



7. PRESSURE REDUCER

If you are using an irrigation system then a pressure reducer must be used unless using a low energy consuming pump.



8. FILLING

The Thinpots can now be filled. They must be filled of at least 1/3 with coconut fibre or a similar product and then the rest potting mix (this will stop the potting mix falling out, allow for a free flow of surplus water and also to limit the weight in the pots). Once filled insert your chosen plants



POINTS TO NOTE

- ALL CONNECTIONS MUST HAVE A RATCHET CLAMP
- THINPOTS MUST BE FILLED WITH A MINIMUM OF 1/3 OF COCONUT FIBRE (SIMILAR PRODUCT)
- IF USING AN IRRIGATION SYSTEM THEN A PRESSURE REDUCER MUST BE USED

Note:

We supply Thinpots and connectors only.

All others accessories can be purchased from hardware or irrigation suppliers.

For more information, visit us on our website:

www.thintanks.com.au

Follow us:



Now its time to enjoy your Vertical Garden!!!

